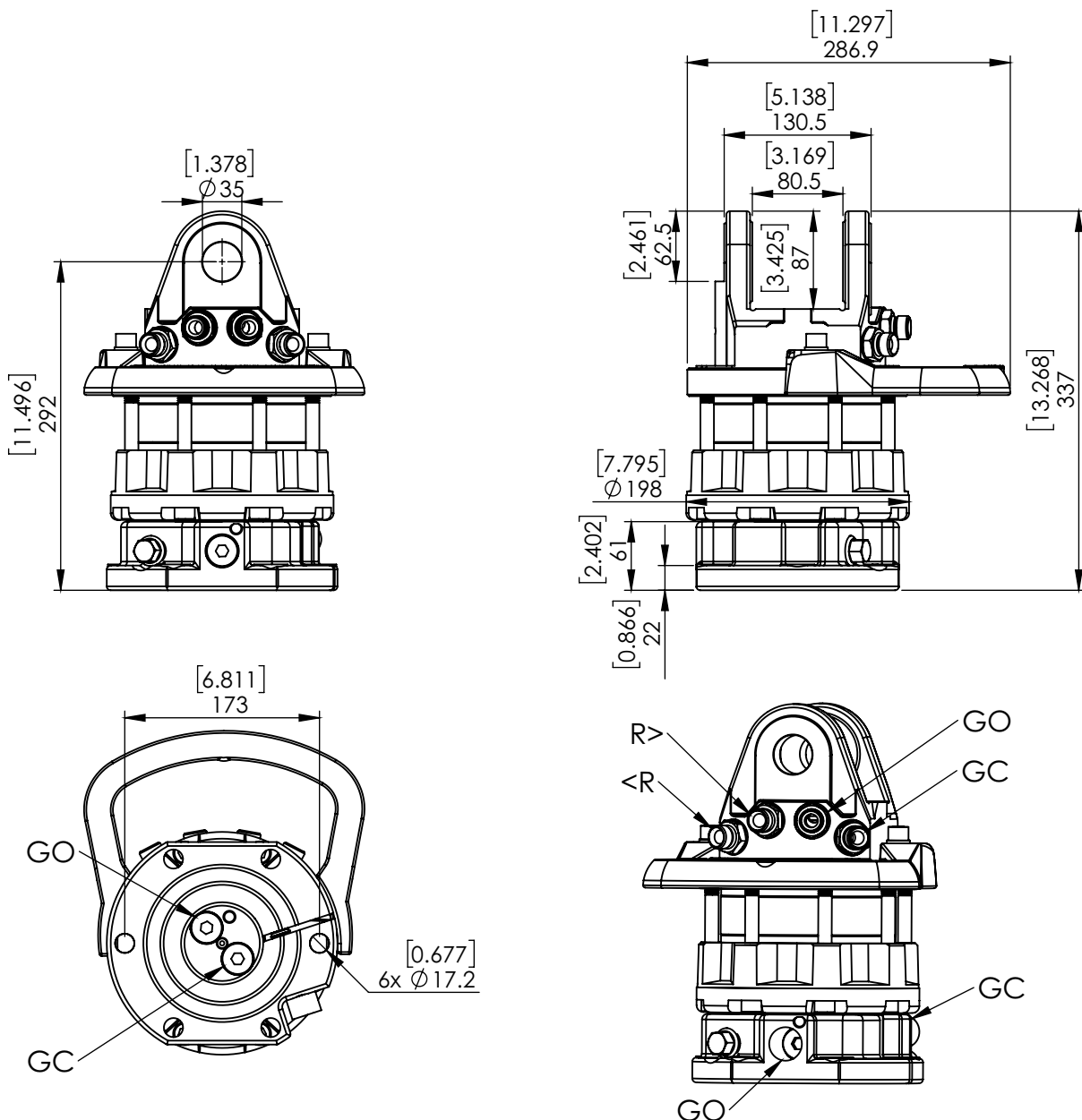


# 70601 CR 600-W35F173



ANGULO DE ROTACION	ILIMITADO	
PRESION MAXIMA (R) [BAR/PSI]	250	3625
PRESION MAXIMA GARRA ABIERTA [BAR/PSI]	200	2901
PRESION MAXIMA GARRA CERRADA [BAR/PSI]	300	4351
DESPLAZAMIENTO [cm <sup>3</sup> /Inch <sup>3</sup> ]	670	41
TORQUE [Nm/lbf-ft]	1800	1328
CARGA AXIAL MAXIMA ESTATICA [KN/lbf]	60	13489
CARGA AXIAL MAXIMA DINAMICA [KN/lbf]	30	6744
PESO [kg/lb]	48	106
CONECTORES	G1/2"	G1/2"
FLUJO MAXIMO DE ACEITE [LPM/GPM]	20	5.3